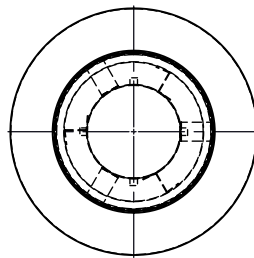
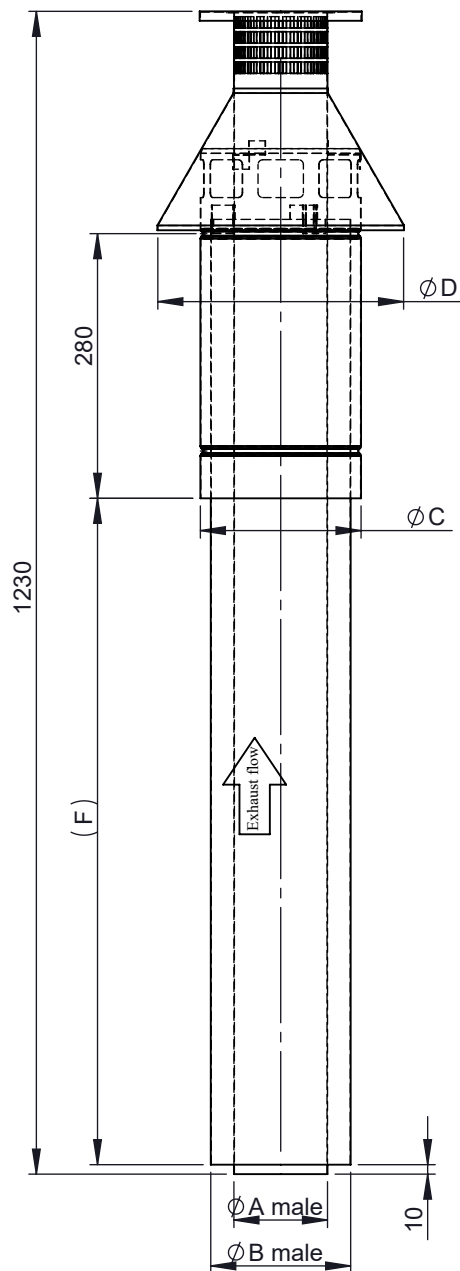


A



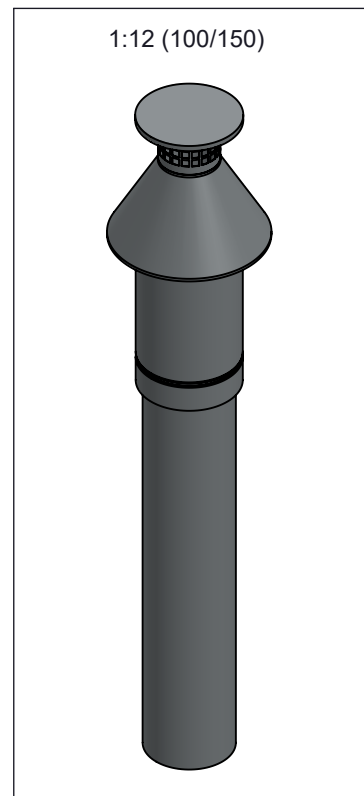
B



C

D

E



1:12 (100/150)

| $\phi$    | 100/150 | 130/200 |
|-----------|---------|---------|
| <b>A</b>  | 100     | 130     |
| <b>B</b>  | 150     | 200     |
| <b>C</b>  | 170     | 220     |
| <b>D</b>  | 260     | 290     |
| <b>F</b>  | 705     | 688     |
| <b>kg</b> | 4,6     | 6,1     |

notes:

DIN ISO 13920 Tolerances B

revisions-no.

**Jeremias**<sup>®</sup>  
CHIMNEY SYSTEMS

scale

1:50

format

A4

sheet

1 of 1

F

|             | date     | name |
|-------------|----------|------|
| drawn by    | 20.12.19 | JMA  |
| checked by  | 20.12.19 | SWA  |
| approved by | 20.12.19 | JWY  |
| modified by |          |      |

description The end of the chimney

code **H-TWIN 1887**drawing-no. **03-03-5225-000**