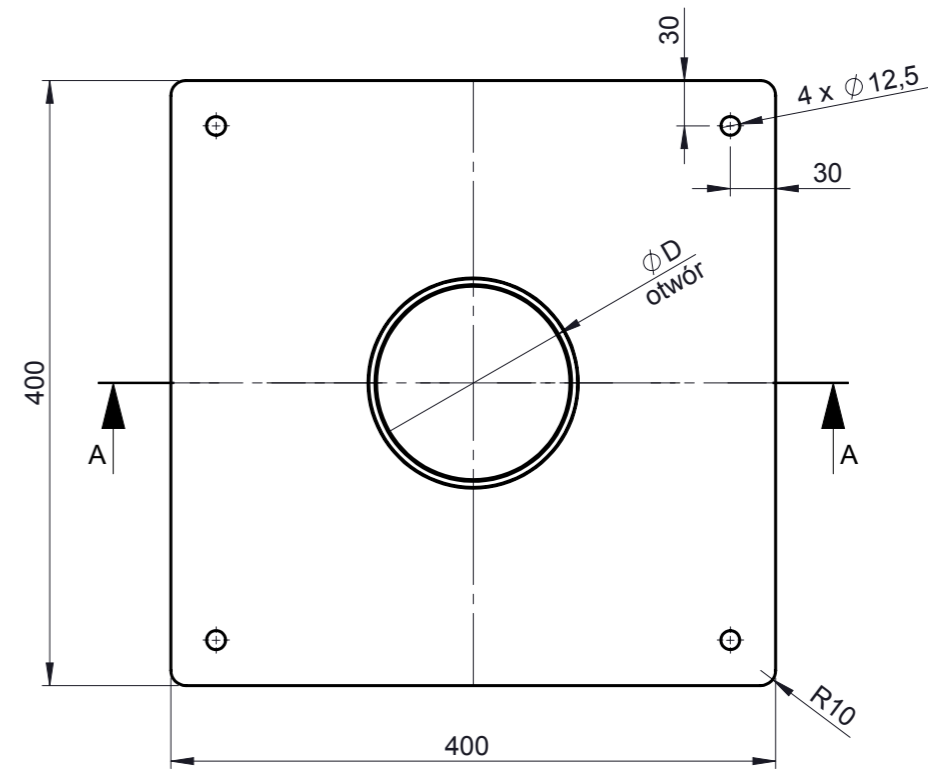
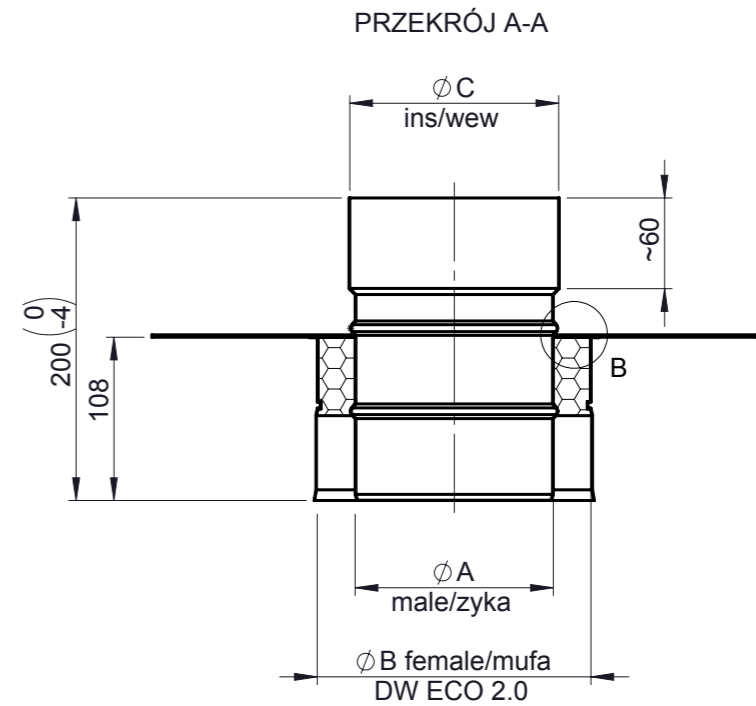
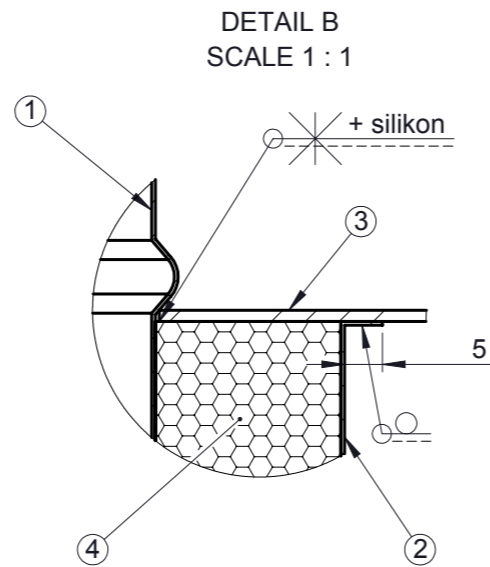
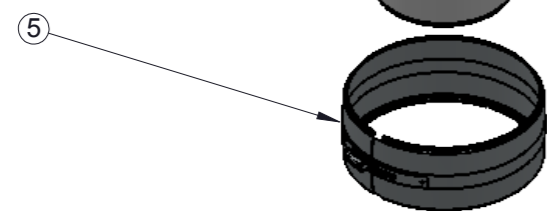
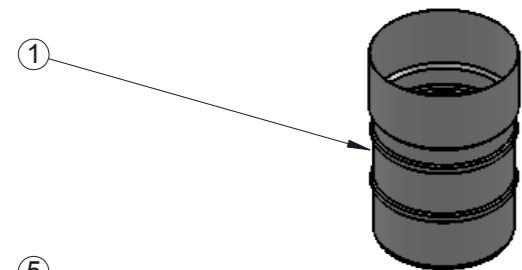
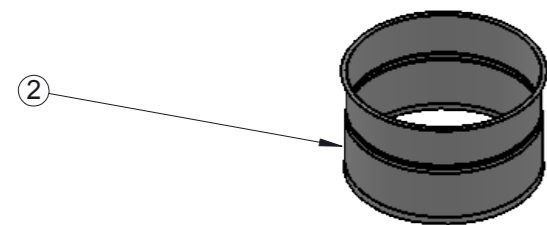
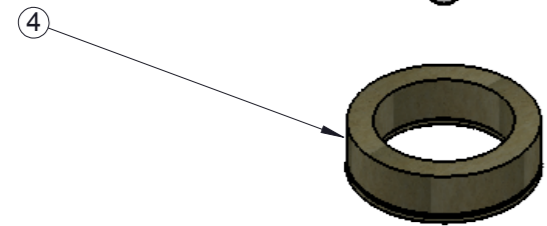
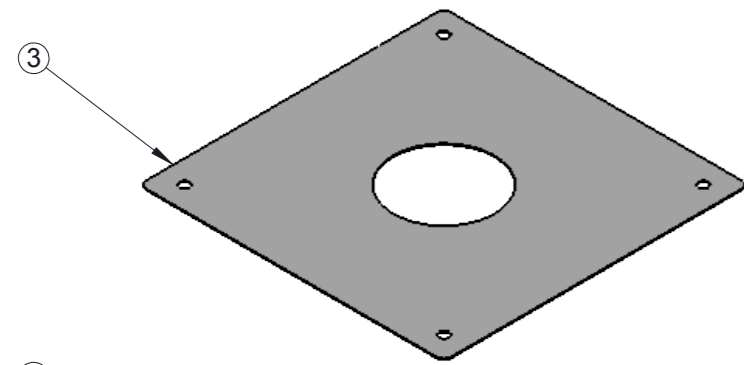


1 2 3 4 5 6 7 8

A B C D E F



	100108	130133	130138	150158
A	100	130	130	150
B	150	180	180	200
C	108	133	138	158
D	102	132	132	153
[kg]	2,50	2,56	2,56	2,60

5	Obejma	DWECO989 $\phi A$	-	-	1
4	ISO		welna mineralna 120kg/m3		1
3	PŁYTA		1.4509(441)-2R(IIID)	1,5	1
2	DWA		1.4301(304)-2R(IIID)	0,5	1
1	DWI		1.4404(316L)-2B(IIIC)	0,5	1
NO	NAME / DIN	NAV	MATERIAL	THICKNESS	QTY

1 2 3 4

notes:

DIN ISO 13920 Tolerances B		
revisions-no.	A	
date	16.01.2019	name
drawn by	MBA	checked by
checked by	SWA	approved by
approved by	JWY	modified by

**Jeremias**  
CHIMNEY SYSTEMS

Przejście DW-ECO 2.0 - EW-FLEX

code: **215-DWECO2424  $\phi A \phi C$**

drawing-no. **02-35-3107-000**

scale  
format: A3  
sheet: 1 of 1

